

Cloudy Day" lighting equipment type.

The DOMO46 is designed to illuminate an object in all the directions being produced an effect of uniform illumination.

Ideal for shining spherical pieces or in which the reflection is desired to attenuate.



LIGHTING TECHNIQUE

Lighting mode: Cloudy day
Light source: 432 LEDs high intensity
Colour (nm): See table 1
LED life: 100.000 hours

ELECTRICAL

Max. power supply: 24VDC (Continuous models)
Max. consumption: 1800mA
Wire include: Yes
Wire terminal: Brown -> 24VDC
 Blue -> 0V (GND)

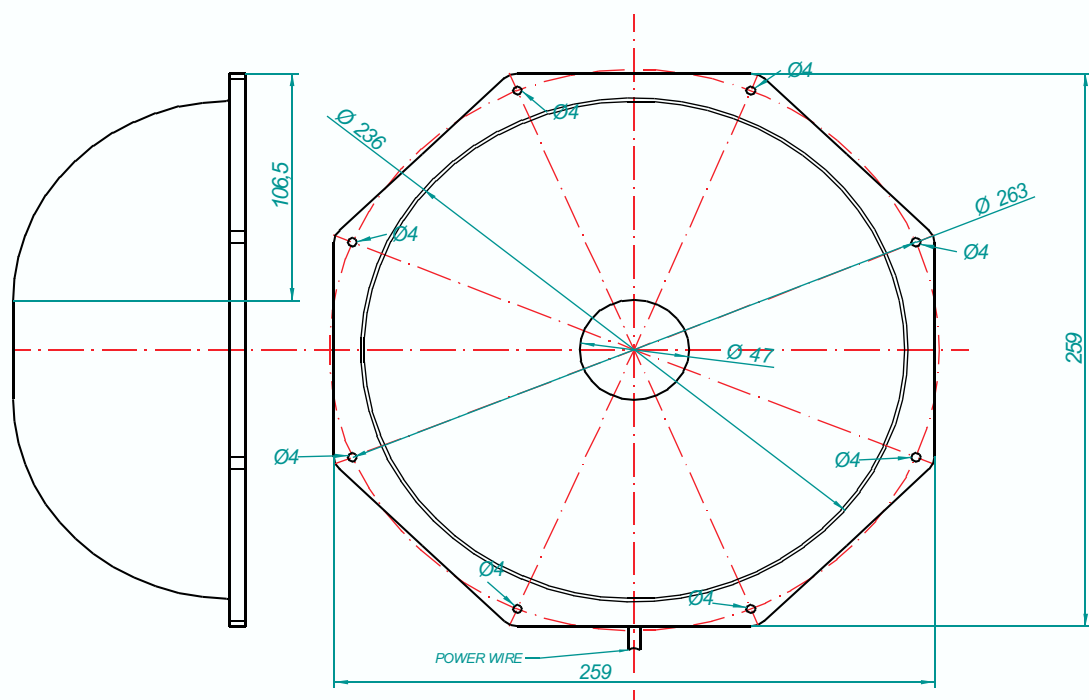
MECHANICAL

LxWxH: See external plane
Mounting: 4 (Ø 4)
Housing material: Black anodized aluminium
Weight: 760 grs.

ENVIRONMENTAL

Max. Operating Humidity: 95% non-condensing
Operating temp: 0..40°C
Storage temp: 0..60°C

EXTERNAL PLANE



MODELS

Table 1.

Ligth colour	Wavelength	Type	Reference
Red	660nm	Continuous	IL028AA
Red	660nm	Strobe	IL028AS
Near infrared	880nm	Continuous	IL028AN
Near infrared	880nm	Strobe	IL028AM
Infrared	940nm	Continuous	IL028AI
Infrared	940nm	Strobe	IL028AJ
White	-----	Continuous	IL028AB
White	-----	Strobe	IL028AC
Others	-----	????	Consult

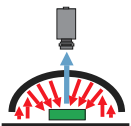
COMPLEMENTS

Table 2.

Complement	Type	Reference
Strobe controller with 3 outputs	Strobe	IL004BB

LIGHTING MODES

DIFFUSE SPHERICAL ILLUMINATION (SMOOTH LIGHT)



The object is illuminated from all the directions with diffuse light, eliminating the shades and reflections, smoothing the textures and diminishing the influence of rays, the dust and the reliefs and curvatures that can have the inspected object.

Indicated for the mark sensing of different colors, characters and detection of everything what as much supposes a change of color in smooth surfaces, spherical, rough or with brightness